

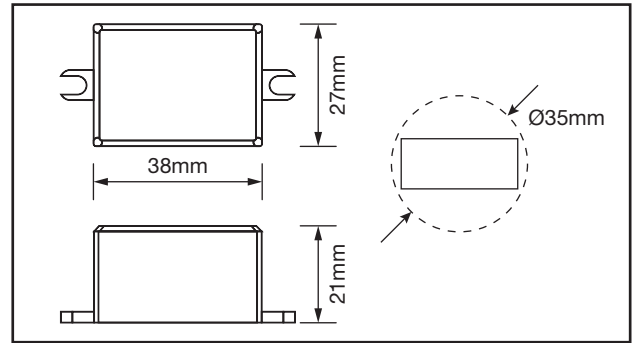
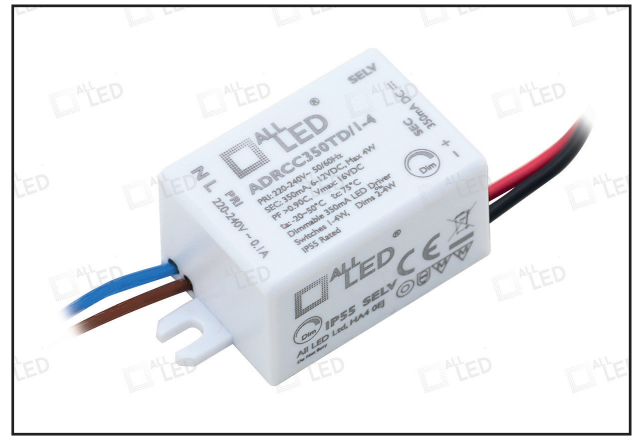
ADRCC350TD/1-4

1-4W Dimmable 350mA
Constant Current LED Driver

Drive350

PRODUCT FEATURES

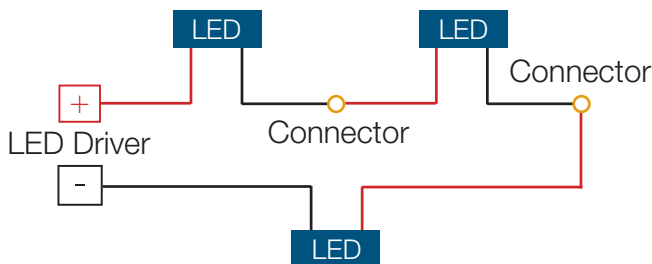
- Compact Size
- Dimmable
- Flicker Free Dimming Pre-Wired Cables
- Max. DC Loom Length 200m (1.5mm² Cable)
- Load:
 - 1...4 PCS x 1W LED (350mA)
 - 1 PC x 3W LED (350mA)



TECHNICAL SPECIFICATIONS

PRODUCT CODE	ADRCC350TD/1-4
Operating Voltage	220-240V AC
Input Current	0.03A
Input Frequency	50/60Hz
Power Factor	≥0.9
No-load Power	≤1.0W
Output Voltage	6 - 12V DC
Output Current	350mA
Output Power	4W
Operating Temperature (°C)	-20°C ~ +50°C
Lifetime	30,000 Hrs

SERIES WIRING DIAGRAM



SERIES WIRING
350mA

DESIGNED IN
BRITAIN

IP20

240V AC

INDOORS
ONLY

CLASS 2

1-4W

DIM

5 YEAR
GUARANTEE